

CUNO™ BHN Series Bag Filter Housing

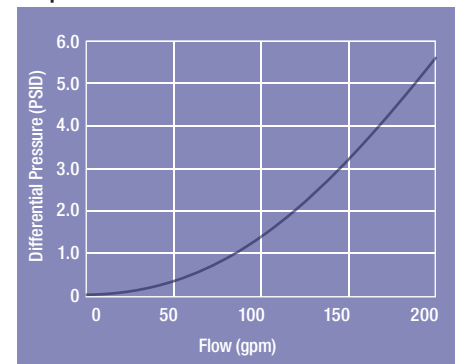
For those applications not requiring code housings, CUNO offers the economical BHN Series bag housing product line. BHN Series housings, for use with #1 and #2 Size conventional bag filters or DF Series elements, are available in single round configurations. The BHN Series housings are constructed from stainless steel materials which includes a stainless steel support basket and a hold down device for proper seating of the filter. BHN housings are rated for operation up to 150 psi @ 250° F (10.4 bar @ 121.1° C). Housing installation in new or existing systems is simplified by the band clamp legs which can accommodate up to a 12 in (30.5 cm) adjustment in floor to outlet height.

BHN Series Filter Housing Specifications

Specifications	Housing Size	
	#1	#2
Material	304 SS and 316L SS	
Gasket (s)	Nitrile Standard	
Connection Size/Type	2" NPT	
Maximum Pressure & Temperature	150 psi @ 250°F (10.4 bar @ 121.1°C)	
Shipping Weight — lbs (kg)	45 (20.4)	60 (27.2)
Basket Weight — lbs (kg)	3.5 (1.6)	6.0 (2.7)
Leg Weight — lbs (kg)	7.5 (3.4)	



Graph 1: Flow vs. Differential Pressure



Differential pressure drops are for Size# 2 bag housings based on an aqueous solution with viscosity of 1 cps with perforated support basket but with no bag installed. Consult the appropriate bag information to determine the total system pressure drop.

Applications

Process Waters

Parts Washers

Machine Coolants

Paints and Coatings

Production Wells

Features & Benefits

Cost Effective Designs.

- Reduced capital cost.

Compression Sealing of Filter Bag.

- Keeps bag filters properly sealed in baskets.

V-Band Clamp Design with Integral Cover Handle .

- Easy vessel opening and closing.

Drains at Lowest Point in Housing.

- No residual build-up or fluid loss.

Designed for use with Standard or Specialty Bag Filters (DF Series Filters).

- Flexibility for using optimum filter for the application.

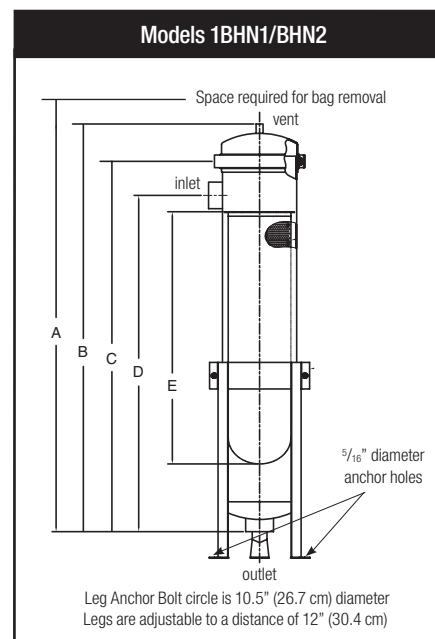
Housing Dimensions*

Model	Vessel O.D.	Dimensions — inches (cm)				
		A	B	C	D	E
1BHN1	8.6 in (21.9 cm)	42 (109.2)	31 (78.7)	27.5 (69.9)	23 (58.4)	13 (33.0)
1BHN2		72 (182.9)	46 (116.8)	41.5 (105.4)	38 (96.5)	28 (71.1)

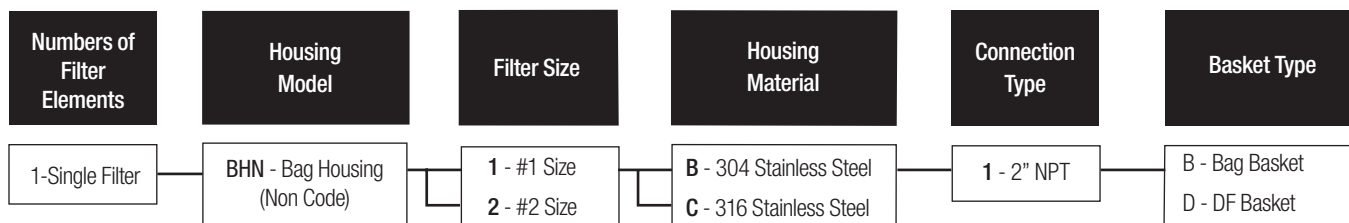
* Dimensions are for reference only.

Accessories/Spare Parts

Description	Part No.
Bag Basket, Size #1, 316 SS	60428-32
Bag Basket, Size #2, 316 SS	60428-31
DF Bag Basket, Size #1, 316 SS	60382-32
DF Basket, Size #2, 316 SS	60382-31
Bag Insertion Tool	60429-31



BH Series Ordering Guide*



* Housings come standard with Nitrile Gaskets, other gasket materials available, consult factory.

Important Notice

CUNO MAKES NO WARRANTIES, EXPRESS OR IMPLIED, INCLUDING, BUT NOT LIMITED TO, ANY IMPLIED WARRANTY OF MERCHANTABILITY OR FITNESS FOR A PARTICULAR PURPOSE. Since a variety of factors can affect the use and performance of a CUNO product in a particular application, some of which are uniquely within the user's knowledge and control, user is responsible for determining whether or not the CUNO product is fit for a particular purpose and suitable for user's method of application.

Limitation Warranty

Seller warrants its equipment against defects in workmanship and material for a period of 12 months from date of shipment from the factory under normal use and service and otherwise when such equipment is used in accordance with instructions furnished by Seller and for purposes disclosed in writing at the time of purchase, if any. Any unauthorized alteration or modification of the equipment by Buyer will void this warranty. Seller's liability under this warranty shall be limited to the replacement or repair, F.O.B., point of manufacture, of any defective equipment or part which, having been returned to the factory, transportation charges prepaid, has been inspected and determined by Seller to be defective. THIS WARRANTY IS IN LIEU OF ANY OTHER WARRANTY, EITHER EXPRESSED OR IMPLIED, AS TO DESCRIPTION, QUALITY, MERCHANTABILITY, FITNESS FOR ANY PARTICULAR PURPOSE OR USE, OR ANY OTHER MATTER. Under no circumstances shall Seller be liable to Buyer or any third party for any loss of profits or other direct or indirect costs, expenses, losses or consequential damages arising out of or as a result of any defects in or failure of its products or any part or parts thereof or arising out of or as a result of parts or components incorporated in Seller's equipment but not supplied by the Seller.



Your Local CUNO Distributor:

CUNO Incorporated
400 Research Parkway
Meriden, CT 06450
U.S.A.
(800) 243-6894
(203) 237-5541
Fax (203) 630-4530
www.CUNO.com

CUNO is a trademark of 3M Company used under license.
3M is a trademark of 3M Company.

© 2008 3M Company. All rights reserved.
LITHSBHN.1008
70-0202-1823-9